



Anchorage grab bar not included

**Code**

G01JDSxx12 82624

**Product series**

Seats and benches

**Product lines**

Tubocolor

**Model**

N.a.

**Description**

REMOVABLE FOLDING SEAT

Time work [s]	N.a.	Cycle No.	N.a.
Power Supply [V]	N.a.	Frequency [Hz]	N.a.
Degree of Protection	N.a.		
Absorbtion [W]	N.a.	Class	N.a.
TX Frequency [MHz]	N.a.		

**Standard / Guide line**

UNI

**Colour availability**

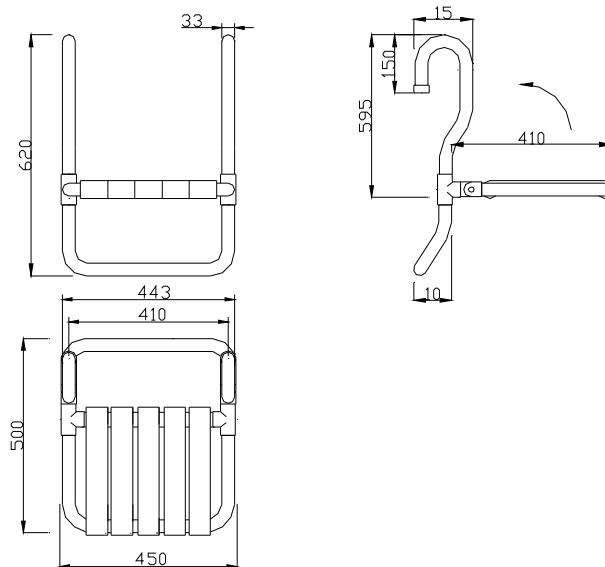
W1	I1	I2	Y1	G1	G2	B1	B2	D1	D2	R1	C1	M1	N1
White	Ivory	Biscuit	Yellow	Green	Pastel Green	Blue	Light Blue	Black	Grey	Red	Chrome	Multi-colours	Neutral
×	×		×	×	×	×	×	×	×	×			

**Reliefs**

N.a.

**Correlated items**

Code	Description
Y87SASxx02	Soft antibacterial stave cover



**Mechanical Data**

Height	620mm	Width	450mm	Depth	500mm
Diameter	33mm	Net Weight [kg.]	8	Side/Toward	N.a.

**Product composition**

Part	Aspect	Material	Finish
Core	3/4" Pipe	SE 330 Steel	Zinc-plated
Coating	2,5 mm thick extrusion	PVC - V0 class	Glossy
Sitting	Stave	Polyamid 6	Glossy

**Fasteners**

N.a.	N.a.
------	------

**Certifications**

Specification	Norm	Agency
Biocompatibility	N.a.	HygCen ( TÜV Italia )
CE	MDD 93/42	Ponte Giulio declaration
Electrical insulation	N.a.	Private consultant

**Use modality**

Use	For hang up installation
Cleaning	use non aggressive cleaners only
Storing	into closed and dry place
Static load [kg.]	150 kg
Constant load [kg.]	

**Packaging information**

Package	Cardboard box
Package external dimensions [mm/in]	490x250x665
Gross Weight	8,5kg