



Photo indicative

**Code**  
G20JDSxx07

**Product series**  
Seats and benches

**Product lines**  
Maxima

**Model**  
N.a.

**Description**  
FOLDING SEAT

Time work [s]	N.a.	Cycle No.	N.a.
Power Supply [V]	N.a.	Frequency [Hz]	N.a.
Degree of Protection	N.a.		
Absorbition [W]	N.a.	Class	N.a.
TX Frequency [MHz]	N.a.		

**Standard / Guide line**  
UNI

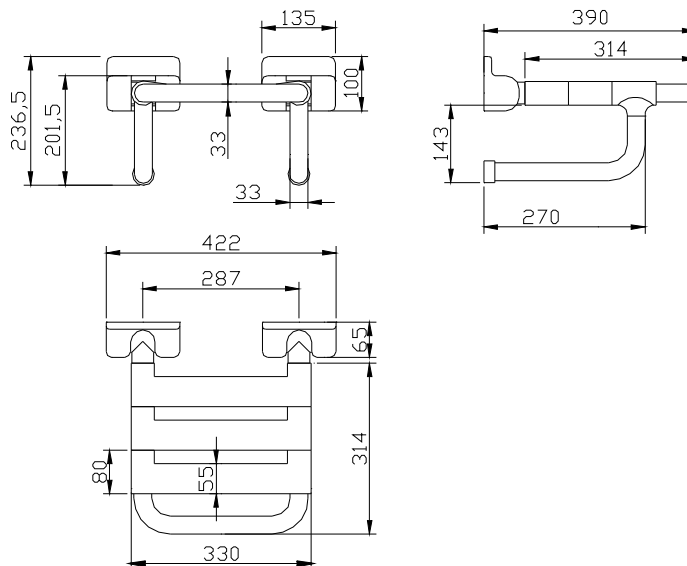
**Colour availability**

W1	I1	I2	Y1	G1	G2	B1	B2	D1	D2	R1	C1	M1	N1
White	Ivory	Biscuit	Yellow	Green	Pastel Green	Blue	Light Blue	Black	Grey	Red	Chrome	Multi-colours	Neutral
×	×		×	×	×	×	×	×	×	×			

**Reliefs**  
N.a.

**Correlated items**

Code	Description
Y87SASxx02	Soft antibacterial stave cover



**Mechanical Data**

Height	236,5mm	Width	422mm	Depth	390mm
Diameter	33mm	Net Weight [kg.]	5,19	Side/Toward	N.a.

**Product composition**

Part	Aspect	Material	Finish
Core	3/4" Pipe	SE 330 Steel	Zinc-plated
Coating	2,5 mm thick extrusion	PVC - V0 class	Glossy
Fixing plate	3 mm Plate	Aisi 304	Matte

**Fasteners**

Not included Additional data are given in the product installation manual

**Certifications**

Specification	Norm	Agency
Biocompatibility	N.a.	HygCen ( TÜV Italia )
Electrical insulation	N.a.	Private consultant
CE	MDD 93/42	Ponte Giulio declaration
Technical aids	EN 12182:1999	TÜV Product Service GMBH

**Use modality**

<b>Use</b>	For wall installation
<b>Cleaning</b>	use non aggressive cleaners only
<b>Storing</b>	into closed and dry place
<b>Static load [kg.]</b>	150 kg
<b>Constant load [kg.]</b>	

**Packaging information**

<b>Package</b>	Cardboard box
<b>Package external dimensions [mm/in]</b>	405 x 390 x 225
<b>Gross Weight</b>	5,93kg