

Polished stainless steel safety handrail for corner installation with vertical arm  $\text{Ø} 32 \times 1.5$  mm in AISI 304 stainless steel, no junctions.

Wall clearance 50 mm.

Concealed wall fixing kit  $\text{Ø} 80$  mm with stainless steel flange cover and flange.

Code **G29JBL06** Series **Polished steel**

Net weight kg 3,7 Dimensions [WxDxH] mm 660x660x1200

In use weight capacity Vertical kg 150

#### Use and installation info

Use Wall installation

#### Cleaning

Clean using pure water and home disinfectants which have been sufficiently diluted in water. Do not use abrasive detergents and trichloroethylene, oxygenated water or acetone-based solvents.

Fasteners Not included with the product

*Ponte Giulio suggest to use fasteners suitable to the wall characteristics on which the product will be installed.*

#### Packaging information

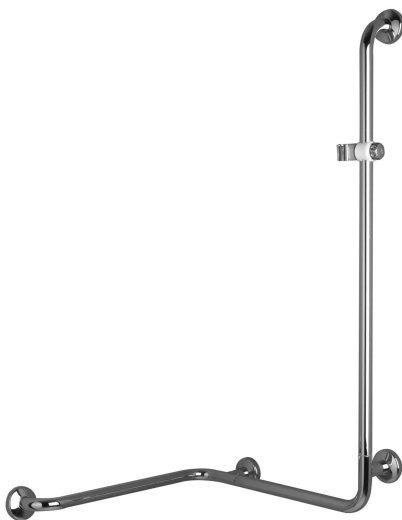
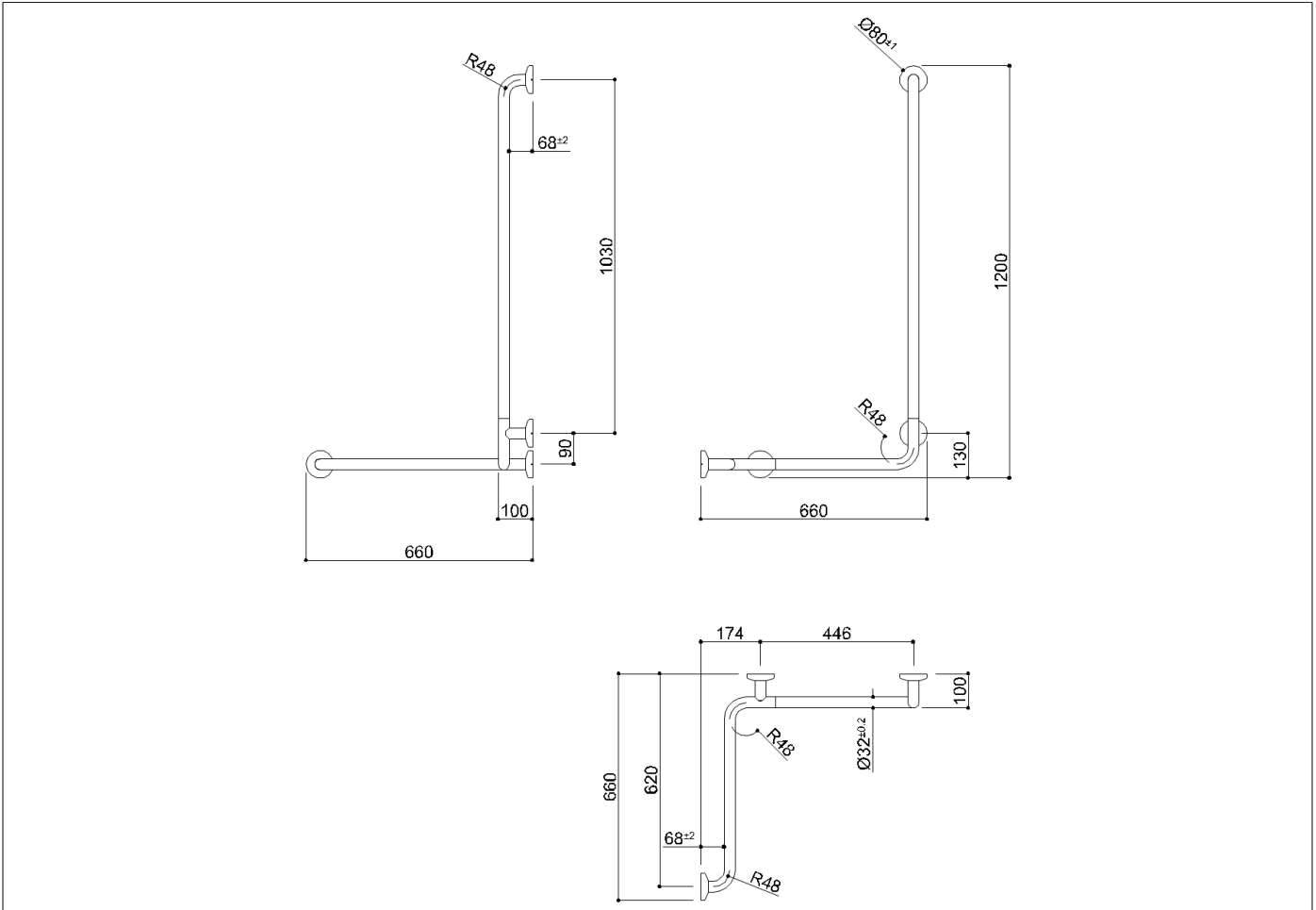
Type of package Nylon bag in cardboard packaging

Dimensions [WxDxH] mm Weight kg 4,7



**Available colours**

**N2 Glossy**



Polished stainless steel safety handrail for corner installation with vertical arm  $\text{Ø} 32 \times 1.5$  mm in AISI 304 stainless steel, no junctions.

Wall clearance 50 mm.

Concealed wall fixing kit  $\text{Ø} 80$  mm with stainless steel flange cover and flange.

Code **G29JBR06** Series **Polished steel**

Net weight kg 3,7 Dimensions [WxDxH] mm 660x660x1200

In use weight capacity Vertical kg 150

#### Use and installation info

Use Wall installation

#### Cleaning

Clean using pure water and home disinfectants which have been sufficiently diluted in water. Do not use abrasive detergents and trichloroethylene, oxygenated water or acetone-based solvents.

Fasteners Not included with the product

*Ponte Giulio suggest to use fasteners suitable to the wall characteristics on which the product will be installed.*

#### Packaging information

Type of package Nylon bag in cardboard packaging

Dimensions [WxDxH] mm Weight kg 4,7



**Available colours**

**N2 Glossy**