

Polished stainless steel safety corner grab rail, $\text{Ø } 32 \times 1.5$ mm in AISI 304 stainless steel, no junctions. Wall clearance 50 mm. Concealed wall fixing kit $\text{Ø } 80$ mm with stainless steel flange cover and flange. Fit for installation in bath and toilet areas, to enable the person

Code G29JBL19 Series Polished steel

Net weight kg 1,39 Dimensions [WxDxH] mm 350x100x660

In use weight capacity Vertical kg 150

Use and installation info

Use Wall installation

Cleaning

Clean using pure water and home disinfectants which have been sufficiently diluted in water. Do not use abrasive detergents and trichloroethylene, oxygenated water or acetone-based solvents.

Fasteners Not included with the product

Ponte Giulio suggest to use fasteners suitable to the wall characteristics on which the product will be installed.

Packaging information

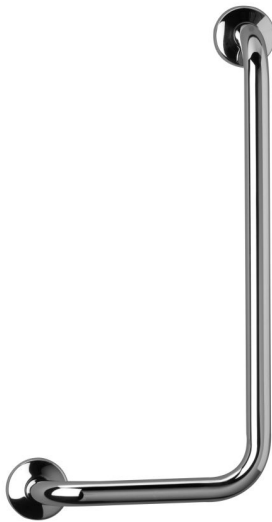
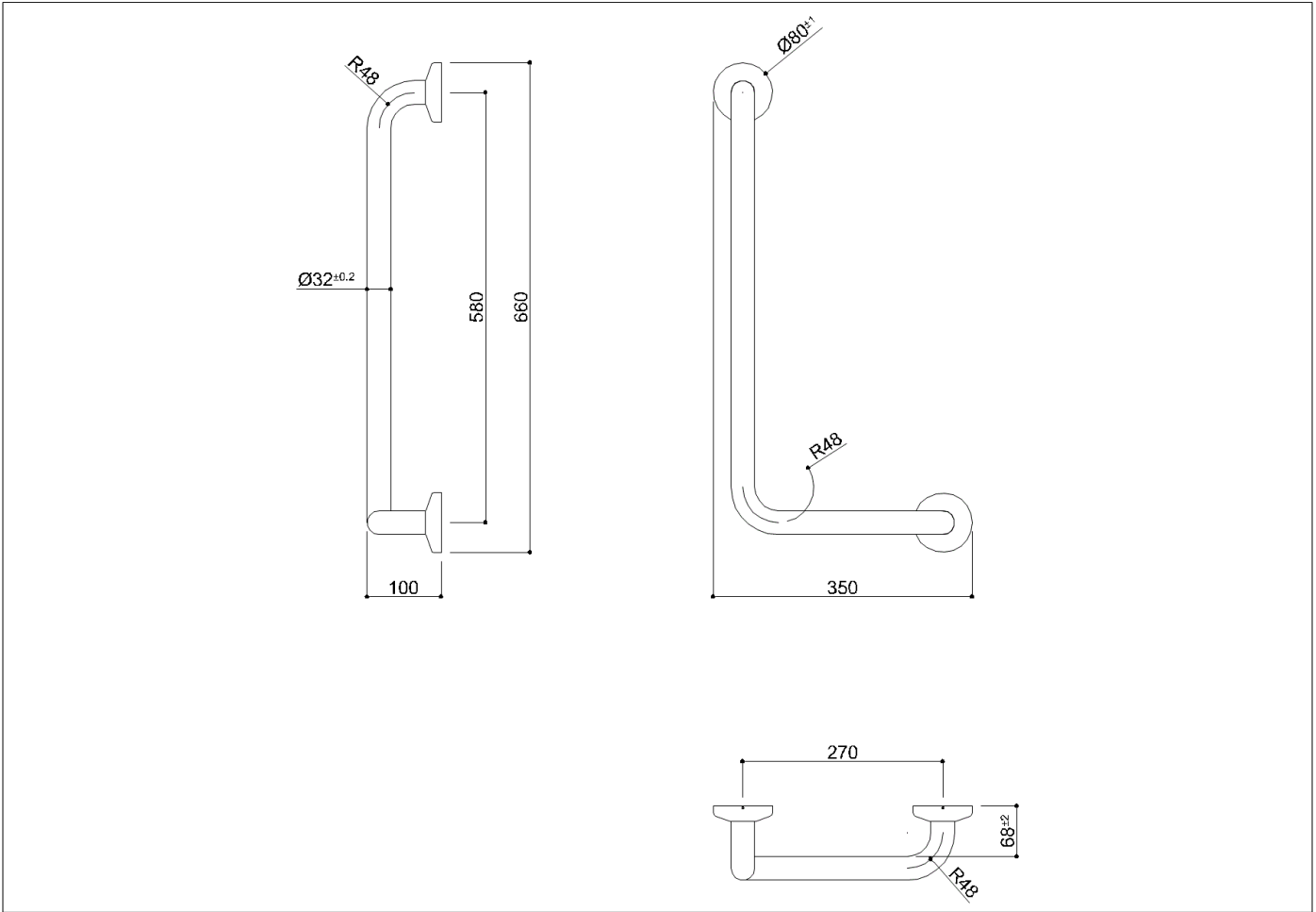
Type of package Nylon bag in cardboard packaging

Dimensions [WxDxH] mm Weight kg



Available colours

N2 Glossy



Polished stainless steel safety corner grab rail, Ø 32x1.5 mm in AISI 304 stainless steel, no junctions. Wall clearance 50 mm. Concealed wall fixing kit Ø 80 mm with stainless steel flange cover and flange. Fit for installation in bath and toilet areas, to enable the person

Code G29JBR19 Series Polished steel

Net weight kg 1,39 Dimensions [WxDxH] mm 350x100x660

In use weight capacity Vertical kg 150

Use and installation info

Use Wall installation

Cleaning

Clean using pure water and home disinfectants which have been sufficiently diluted in water. Do not use abrasive detergents and trichloroethylene, oxygenated water or acetone-based solvents.

Fasteners Not included with the product

Ponte Giulio suggest to use fasteners suitable to the wall characteristics on which the product will be installed.

Packaging information

Type of package Nylon bag in cardboard packaging

Dimensions [WxDxH] mm Weight kg



Available colours

N2 Glossy