

Automatic Washbasin Taps SLU 08, SLU 08D



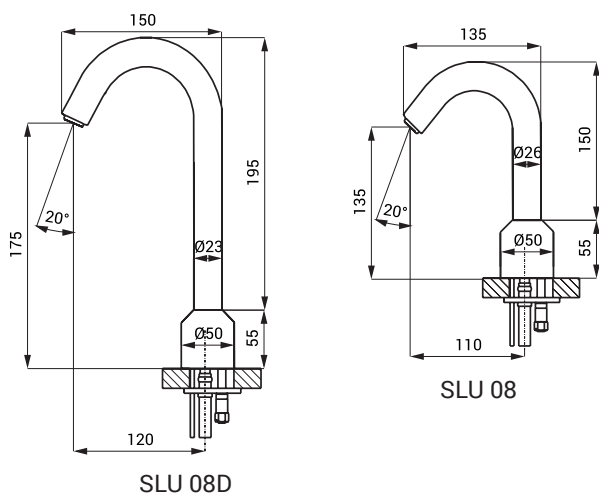
SLU 08D

Characteristics



- economical aerator, rate of flow 6 l/min
- hygienic flush
- suitable for medical facilities
- index „D“ - higher faucet
- are destined for cold and hot water, temperature is regulated by angle valves
- water is flowing as long as hands are in the active range
- water stops flowing after removal of hands from the active range of sensor after adjustable time delay (can be set in range 0,25 – 7,75 s)
- function of automatic water stop after 5 minutes of continuous flow
- monitoring of battery capacity (for models with index B)
- START/STOP program
- parameter adjustment using by the remote control SLD 03

Dimensions



SLU 08D

Technical Specification

Operating voltage

- SLU 08, 08D 24 V DC
- SLU 08B, 08DB 6V

Power input

- operating by 24 V DC 7 W
- operating by 6 V 3 W

Battery life

- 4 pcs. AA alkaline batteries approx. 2 years (100 uses per day)
- AA, 1,5 V, 2700 mAh

Active range

- standard 0,2 - 0,26 m
- START/STOP program 0,05 - 0,15 m

Recommended flow pressure

- 0,1 - 0,6 MPa

Rate of flow

6 l/min. (inf. data)

Water inlet

male thread G 1/2"

Supply Specification

- SLU 08 - Supply No. 03080
- SLU 08B - Supply No. 03085
- SLU 08D - Supply No. 13081
- SLU 08DB - Supply No. 13082

faucet with an electronics, electromagnetic valve (1 pc.), Y-piece, connecting hoses, angle valve with filter and check valve (2 pcs.), 4 pcs. AA alkaline batteries 1,5 V, 2700 mAh with battery case (for models with index B)

Recommended Accessories

- SLZ 01Y - Supply No. 05012
- SLZ 01Z - Supply No. 05011
- SLZ 04Y - Supply No. 05042
- SLZ 04Z - Supply No. 05041
- SLZ 04X - Supply No. 10049
- SLZ 06 - Supply No. 05060
- SLD 03 - Supply No. 07030
- SLA 36 - Supply No. 06360

power supply 24 V DC for operating of max. 5 pcs. of washbasin taps
 power supply 24 V DC for operating of max. 9 pcs. of washbasin taps
 power supply 24 V DC for DIN rail, for operating of max. 5 pcs. of washbasin taps
 power supply 24 V DC for DIN rail, for operating of max. 9 pcs. of washbasin taps
 power supply 24 V DC for DIN rail, for operating of max. 15 pcs. of washbasin taps
 power supply 24 V DC for operating of max. 1 pc. of washbasin tap
 remote control for an adjustment of parameters
 set of 4 pcs. alkaline batteries AA, 1,5 V, 2700 mAh (for models with index B)