

Automatic Washbasin Taps SLU 21, SLU 22

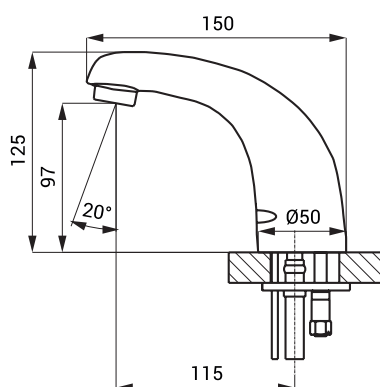


Characteristics



- economical aerator, rate of flow 6 l/min
- hygienic flush
- SLU 21 is destined for cold or premixed water
- SLU 22 is destined for cold and hot water, temperature is regulated by angle valves
- water is flowing as long as hands are in the active range
- water stops flowing after removal of hands from the active range of sensor after adjustable time delay (can be set in range 0,25 – 7,75 s)
- function of automatic water stop after 5 minut of continuous flow
- monitoring of battery capacity (for models with index B)
- START/STOP program
- parameter adjustment using by the remote control SLD 03

Dimensions



Technical Specification

Operating voltage

- SLU 21, 22 24 V DC
- SLU 21B, 22B 9 V

Power input

- operating by 24 V DC 7 W
- operating by 9 V 3 W

Battery life

- lithium 9V, type U9VL approx. 2 years (100 uses per day)

Active range

- standard 0,13 - 0,19 m
- START/STOP program 0,05 - 0,15 m

Recommended flow pressure

- 0,1 - 0,6 MPa

Rate of flow

- 6 l/min. (inf. data)

Water inlet

- male thread G 1/2"

Supply Specification

SLU 21 - Supply No. 03210 faucet with electronics, holder of electronics, electromagnetic valve (1 pc.),
SLU 21B - Supply No. 03215 connecting hoses, angle valve with filter (1 pc.), lithium batteries SLA 09 with battery case (SLU 21B)

SLU 22 - Supply No. 03220 faucet with electronics, holder of electronics, electromagnetic valve (1 pc.),
SLU 22B - Supply No. 03225 Y-piece, connecting hoses, angle valve with filter and check valve (2 pcs.), lithium batteries SLA 09 with battery case (SLU 22B)

Recommended Accessories

SLZ 01Y - Supply No. 05012 power supply 24 V DC for operating of max. 5 pcs. of washbasin taps
SLZ 01Z - Supply No. 05011 power supply 24 V DC for operating of max. 9 pcs. of washbasin taps
SLZ 04Y - Supply No. 05042 power supply 24 V DC for DIN rail, for operating of max. 5 pcs. of washbasin taps
SLZ 04Z - Supply No. 05041 power supply 24 V DC for DIN rail, for operating of max. 9 pcs. of washbasin taps
SLZ 04X - Supply No. 10049 power supply 24 V DC for DIN rail, for operating of max. 15 pcs. of washbasin taps
SLZ 06 - Supply No. 05060 power supply 24 V DC for operating of max. 1 pc. of washbasin tap
SLD 03 - Supply No. 07030 remote control for an adjustment of parameters
SLT 04 - Supply No. 09040 thermostatic valve 3/4", rate of flow 28 l/min by the pressure 0,1 MPa
SLT 05 - Supply No. 09050 thermostatic valve 1/2", rate of flow 42 l/min by the pressure 0,1 MPa
SLA 09 - Supply No. 06090 set of 4 pcs. alkaline batteries AA, 1,5 V, 2700 mAh (for models with index B)