

Set of Piezo Wall-mounted Stainless Steel Washbasin Tap for Subsequent Mounting SLU 39PX

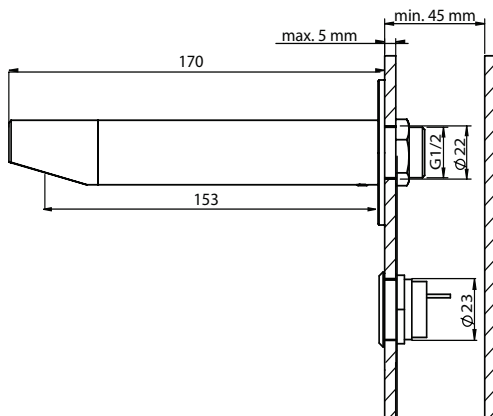


Characteristics



- economical aerator, rate of flow 6 l/min
- hygienic flush
- lead free
- is destined for installation into the walls with max. thickness 5 mm
- is destined for cold or premixed water
- index „X“ - brushed finish
- water flows after soft push of the piezo button
- water stops flowing after adjustable flowing time (can be set in 2 - 62 s), standard 10 s
- water could be stopped by follow-up soft push of piezo button
- monitoring of battery capacity (for models with index B)
- parameter adjustment using by the remote control SLD 04

Installation Drawing



Technical Specification

Operating voltage

- SLU 39PX 24 V DC
- SLU 39PBX 6 V

Power input

- operating by 24 V DC 7 W
- operating by 6 V 3 W

Battery life

- 4 pcs. AA alkaline batteries approx. 2 years (100 uses per day)
- AA, 1,5 V, 2700 mAh

Recommended flow pressure

0,1 - 0,6 MPa

Rate of flow

6 l/min. (inf. data)

Water inlet

male thread G 1/2"

Supply Specification

- SLU 39PX - Supply No. 03394 spout, piezo electronics, electromagnetic valve (1 pcs.),
SLU 39PBX - Supply No. 03395 4 pcs. AA alkaline batteries 1,5 V, 2700 mAh with battery case (SLU 39PBX)

Recommended Accessories

- SLZ 01Y - Supply No. 05012 power supply 24 V DC for operating of max. 5 pcs. washbasin taps
SLZ 01Z - Supply No. 05011 power supply 24 V DC for operating of max. 9 pcs. washbasin taps
SLZ 04Y - Supply No. 05042 power supply 24 V DC for DIN rail, for operating of max. 5 pcs. washbasin taps
SLZ 04Z - Supply No. 05041 power supply 24 V DC for DIN rail, for operating of max. 9 pcs. washbasin taps
SLZ 04X - Supply No. 10049 power supply 24 V DC for DIN rail, for operating of max. 15 pcs. washbasin taps
SLZ 06 - Supply No. 05060 power supply 24 V DC for operating of max. 1 pc washbasin tap
SLD 04 - Supply No. 07040 remote control for an adjustment of parameters
SLT 04 - Supply No. 09040 thermostatic valve 3/4", rate of flow 28 l/min by the pressure 0,1 MPa
SLT 05 - Supply No. 09050 thermostatic valve 1/2", rate of flow 42 l/min by the pressure 0,1 MPa
SLT 07 - Supply No. 09070 thermostatic valve 3/4", rate of flow 43 l/min by the pressure 0,1 MPa
SLT 08 - Supply No. 09080 thermostatic valve 1", rate of flow 53 l/min by the pressure 0,1 MPa
SLT 09 - Supply No. 09090 thermostatic valve 5/4", rate of flow 82 l/min by the pressure 0,1 MPa
SLT 10 - Supply No. 09100 thermostatic valve 6/4", rate of flow 155 l/min by the pressure 0,1 MPa
SLA 36 - Supply No. 06360 set of 4 pcs. alkaline batteries AA, 1,5 V, 2700 mAh (for models with index B)