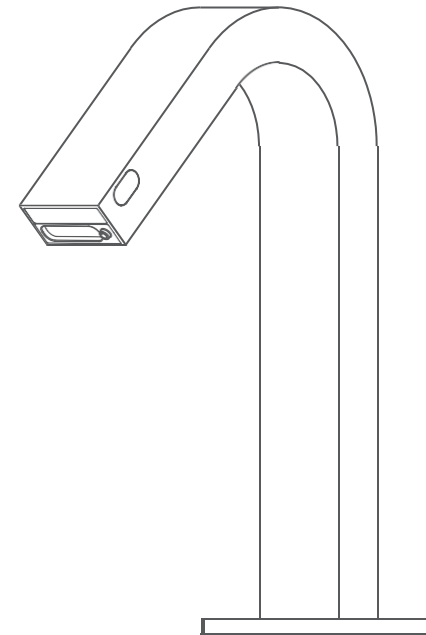


# Installation

Automatic Faucet with soap dispenser

**mediclinics**



Read ALL the instructions completely before installation

## Specifications

Model No.	GAJ002AC
Description	Automatic faucet with soap dispenser
Power Supply	DC:6V(4AA alkaline batteries) AC: 220V-240V; 50/60Hz
Static Power Consumption	DC:≤0.18-0.33mW
Sensing Range	Sensing for water: 25±5CM (based on white board) Sensing for soap: 10±2CM (based on white board)
Water Pressure	0.5Bar-8 Bar
Ambient Temperature	1°C-55°C
Inlet	G1/2"

## Trouble shooting

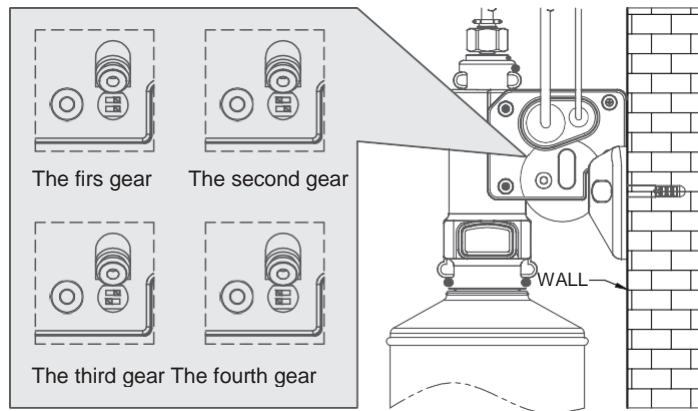
Symptom	Cause	Treatment
No water out	The battery is exhausted	Change the battery
	Water supply cut off	Check supply
	Dirt in the filter	Clean the filter
	Water pressure too low	Raise the pressure
No soap out	There is still air in the soap tube	Sense the soap sensor repeatedly until soap out
	Too low ambient temperature, the soap is easy to freeze	Fill in proper amount of warm water (approximate 60°C)
	The soap in the bottle is too little	Fill more soap
	The check valve is blocked	Replace the check valve
Water or soap will not turn off	Dirt on the sensor window	Clean the sensor
Too little water flow	Water supply is turned down	Adjust water supply
	The filter is too dirty	clean the filter
	Water pressure is too low	Raise the pressure
Too much water flow	Water pressure is too high	Adjust pressure
Short cycles of battery	Incorrect batteries	Change to 4AA Alkaline batteries
The indicator light is	The light is broken	Change the light or circuit board
	The circuit board is wet or signal line is wet	Dry out
	The battery is exhausted	Change the battery
	Poor connection of battery	Check battery connections

### Debugging step for soap dispenser

1. Fill the bottle full of liquid soap for the first time ;
2. Press and hold the dispense button on the control box, release till the soap is dispensed.
3. Start the system by passing your hand in the sensor range, soap will dispense automatically.

Note: It has four soap dispense volume adjustment:

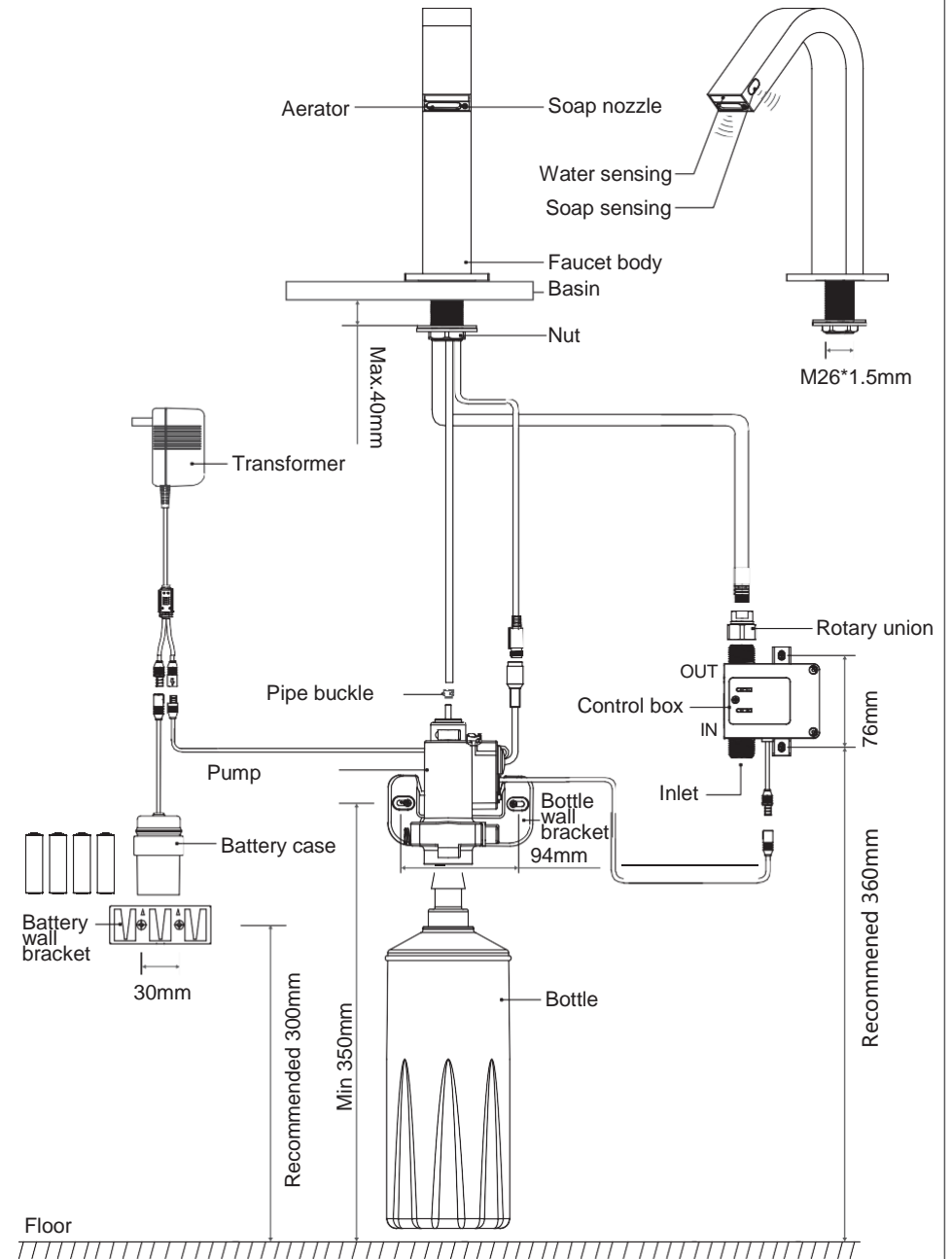
1. Low volume
2. Normal volume
3. Medium volume
4. High volume



Viscosity of liquid soap: 100-3500cp(mpA.s)

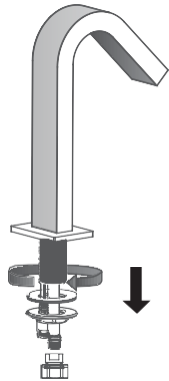
Recommended Usage			
Domestic	✓	Heavy Commercial	✓
Light Commercial	✓	Health Care	X

### Part name

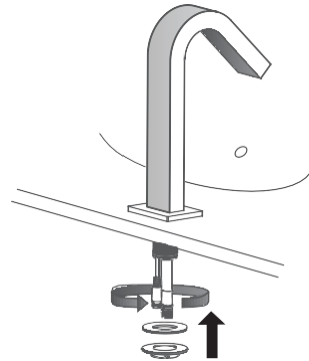


## Installation

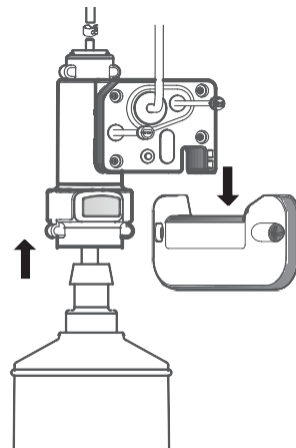
- !** Warning :Before installing the new spout it is essential that you thoroughly flush through the pipework in order to remove any remaining swarf,solder etc. Failure to carry out this procedure could cause problems or damage to the workings of the spout.  
This product must not be modified in any way as this will invalidate the guarantee .



1. Screw off the rotary union,nut and gasket from the faucet.

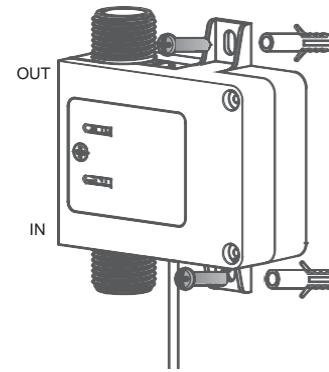


2. Fit the spout to the basin ensuring the cables and hose are threaded through the hole in the basin.

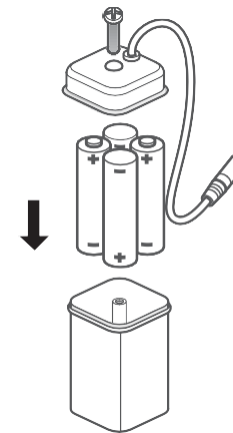


3. Fit wall bracket  
Position the brackets onto the wall and mark the position of the fixing holes. Remove the brackets and drill suitable holes for the wall plugs supplied . Fit the wall plugs and brackets.

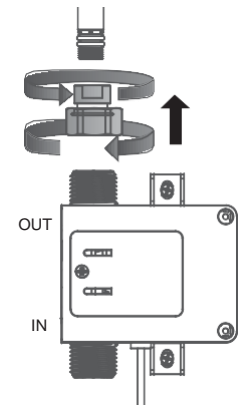
4. Attach the pump to bottle  
Ensure the dispenser tube is located inside the bottle and push the pump the pump down firmly onto the bottle until a loud "click" is heard . Connect the dispensing cable from the spout into the top connection on the pump. Place pump into bracket .



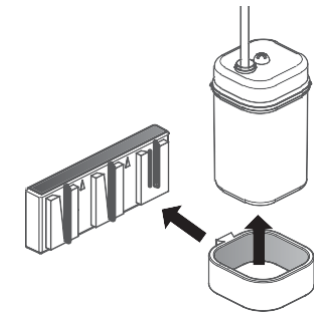
5. Position and fix the control box onto the wall surface .



7. Insert Batteries.  
Remove the battery cover and insert 4AA battery case ensuring they are inserted the correct way .Replace the battery box cover and tighten the screw. Push the holder into the battery case wall bracket.



6. Connect the hose with the rotary union to the outlet of the control box.



8. Insert the case into the holder .  
Push the holder into the battery case wall bracket.