

Piezo Wall-mounted Stainless Steel Washbasin Tap SLU 44PP

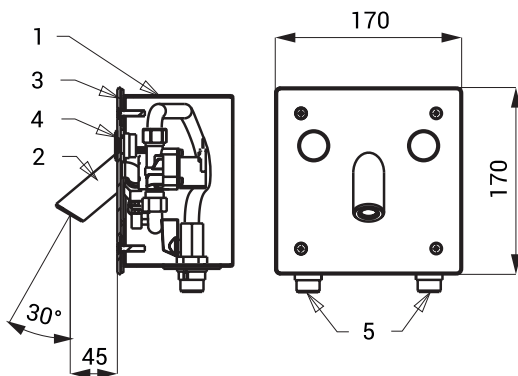


Characteristics



- economical aerator, rate of flow 6 l/min
- hygienic flush
- vandal-proof
- suitable for a prison
- special anti-suicide spout
- special vandal-proof stainless steel cover, thickness 3 mm, safety screws
- is destined for cold and hot water, mutual blocking of the buttons
- water flows after soft push of the piezo button
- water stops flowing after adjustable flowing time (can be set in range 5 - 155 s), standard 5 s
- water could be stopped by follow-up soft push of piezo button
- parameters adjustment using by the remote control SLD 06
- water flow can be regulated by ball valve

Installation Drawing



- 1 - mounting box with electromagnetic valve and ball valves
- 2 - spout
- 3 - vandal-proof stainless steel cover
- 4 - piezo button
- 5 - water inlets

Technical Specification

Stainless steel cover dimension	170 x 170 x 3 mm
Mounting box dimension	145 x 155 x 100 mm
Operating voltage	
▪ SLU 44PP	24 V DC
Power input	
▪ operating by 24 V DC	7 W
Recommended flow pressure	0,1 - 0,6 MPa
Rate of flow	6 l/min. (inf. data)
Water inlet	male thread G 1/2"

Supply Specification

SLU 44PP - Supply No. 64442 spout, stainless steel cover with piezo electronics (2 pcs.), stainless steel mounting box with a brass screw-coupling, electromagnetic valve (2 pcs.), ball valve (2 pcs.), safety screws (4 pcs.)

Recommended Accessories

SLZ 01Y - Supply No. 05012	power supply 24 V DC for operating of max. 5 pcs. washbasin taps
SLZ 01Z - Supply No. 05011	power supply 24 V DC for operating of max. 9 pcs. washbasin taps
SLZ 04Y - Supply No. 05042	power supply 24 V DC for DIN rail, for operating of max. 5 pcs. washbasin taps
SLZ 04Z - Supply No. 05041	power supply 24 V DC for DIN rail, for operating of max. 9 pcs. washbasin taps
SLZ 04X - Supply No. 10049	power supply 24 V DC for DIN rail, for operating of max. 15 pcs. washbasin taps
SLZ 06 - Supply No. 05060	power supply 24 V DC for operating of max. 1 pc. washbasin tap
SLD 06 - Supply No. 07060	remote control for an adjustment of parameters
SLT 04 - Supply No. 09040	thermostatic valve 3/4", rate of flow 28 l/min by the pressure 0,1 MPa
SLT 05 - Supply No. 09050	thermostatic valve 1/2", rate of flow 42 l/min by the pressure 0,1 MPa
SLA 56A - Supply No. 06560	economical aerator 3,8 l/min
SLA 56B - Supply No. 06561	economical aerator 1,9 l/min