

Automatic Washbasin Mixer SLU 76N

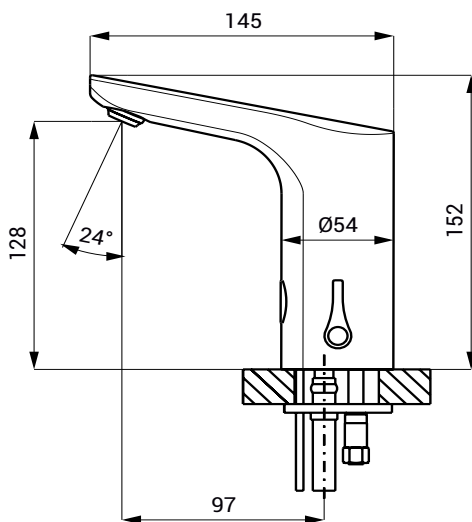


Characteristics



- economical aerator, rate of flow 6 l/min
- hygienic flush
- possibility of water temperature adjustment by mixer and follow-up plug by cover
- electromagnetic valve is in the tap body
- is destined for cold and hot water, temperature is regulated by mixer
- water is flowing as long as hands are in the active range
- water stops flowing after removal of hands from the active range of sensor after adjustable time delay (can be set in range 0,25 – 7,75 s)
- function of automatic water stop after 5 minutes of continuous flow
- monitoring of battery capacity (for models with index B)
- START/STOP program
- parameter adjustment using by the remote control SLD 03

Dimensions



Technical Specification

Operating voltage

- SLU 76N 24 V DC
- SLU 76NB 6 V

Power input

- operating by 24 V DC 2 W
- operating by 6 V 2 W

Battery life

- 4 pcs. AA alkaline batteries approx. 2 years
AA, 1,5 V, 2700 mAh (100 uses per day)

Active range

- standard 0,13 - 0,19 m
- START/STOP program 0,05 - 0,15 m

Recommended flow pressure

- 0,1 - 0,6 MPa

Rate of flow

- 6 l/min. (inf. data)

Water inlet

- male thread G 1/2"

Supply Specification

SLU 76N - Supply No. 03763

SLU 76NB - Supply No. 03766

faucet with mixer, electronics and electromagnetic valve, connecting hoses, filter and check valve (2 pcs.), cover for temperature mixer, 4 pcs. AA alkaline batteries 1,5 V, 2700 mAh with battery case (SLU 76NB)

Recommended Accessories

SLZ 01Y - Supply No. 05012

SLZ 01Z - Supply No. 05011

SLZ 04Y - Supply No. 05042

SLZ 04Z - Supply No. 05041

SLZ 04X - Supply No. 10049

SLZ 06 - Supply No. 05060

SLD 03 - Supply No. 07030

SLA 36 - Supply No. 06360

SLA 55A - Supply No. 06550

SLA 55B - Supply No. 06551

power supply 24 V DC for operating of max. 10 pcs. of washbasin taps

power supply 24 V DC for operating of max. 20 pcs. of washbasin taps

power supply 24 V DC for DIN rail, for operating of max. 10 pcs. of washbasin taps

power supply 24 V DC for DIN rail, for operating of max. 20 pcs. of washbasin taps

power supply 24 V DC for DIN rail, for operating of max. 30 pcs. of washbasin taps

power supply 24 V DC for operating of max. 1 pc. of washbasin tap

remote control for an adjustment of parameters

set of 4 pcs. alkaline batteries AA, 1,5 V, 2700 mAh (for models with index B)

economical aerator 3,8 l/min

economical aerator 1,9 l/min